

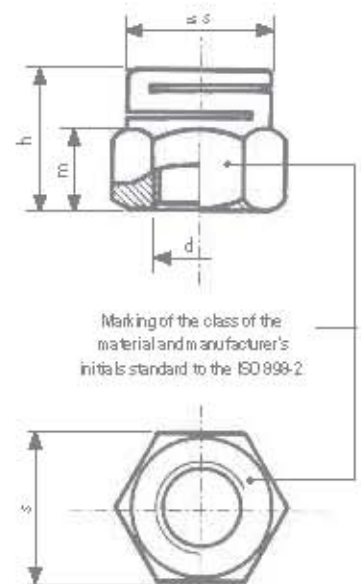
ESL
HFR NUT
ALL METALS – METRIC

Definition: all metals reusable slotted self-locking hexagon nut standard to the NFE 25 411 and SNCF ST 001-002 FPN6

Threading: standard to ISO 965-2

Characteristic and performance test: steel ISO 898-2 / NF EN ISO 2320

d	pitch	s	h	m
M 2	0,40	4,00	4,50	2,30
M 2,5	0,45	5,00	4,50	2,30
M 3	0,50	5,50	4,50	2,50
M 4	0,70	7,00	5,30	2,60
M 5	0,80	8,00	6,30	3,00
M 6	1,00	10,00	7,00	3,60
M 7	1,00	11,00	8,10	4,80
M 8	1,25	13,00	8,80	4,80
M 10	1,50	16,00	11,00	6,00
M 12	1,75	18,00	13,00	7,20
M 14	2,00	21,00	15,00	8,40
M 16	2,00	24,00	18,70	11,50
M 18	2,50	27,00	20,00	11,50
M 20	2,50	30,00	21,00	12,00
M 22	2,50	34,00	21,50	12,50
M 24	3,00	36,00	25,50	15,40
M 27	3,00	41,00	28,00	17,00
M 30	3,50	46,00	31,50	18,50
M 33	3,50	50,00	32,00	18,70
M 36	4,00	55,00	34,50	19,50
M 39	4,00	60,00	37,00	20,50
M 42	4,50	65,00	39,50	23,00
M 45	4,50	70,00	43,00	24,00
M 48	5,00	75,00	46,00	25,00



Quality class	Classification	Range of application
Class 8 steel	QV	Self-color -50° C + 300° C [Ⓛ]
Class 10 steel	QK	
Class 12 steel	QL	

Others: Brass - Bronze - Light alloy - Titanium ...

[Ⓛ] Values are only given as an indication

Surface treatment (standard to ROHS requirements)			
Electrolytic coating (steel)	Yellow	ZJ	ISO 4042
	White Lanthane [Ⓛ] Finish	ZL	400 h
	White Lanthane [Ⓛ] Finish + Top coat	ZF	600 h
Zinc lamellar (steel)	600 h to 1000 h salt spray		on request
Self Color		BT	

Example of ordering code					
	Type	Diam X pitch	Class	Protection	
classification	ESL	M10 X 1,50	QV	ZL	00
	ESL	M10 X 1,50	8	Zinc Lanthane [Ⓛ]	*

*Standard size

On request: other materials, plating, sizes, imperial thread